

# Colamark

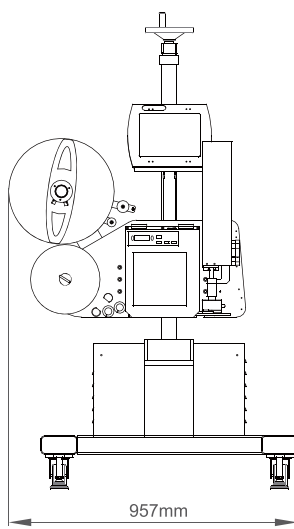
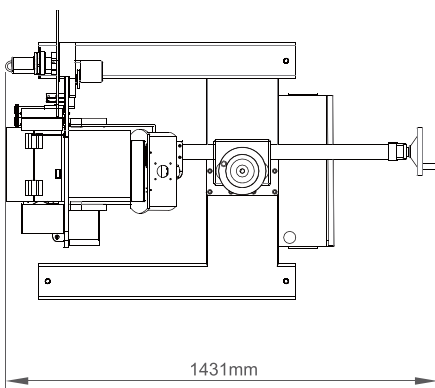
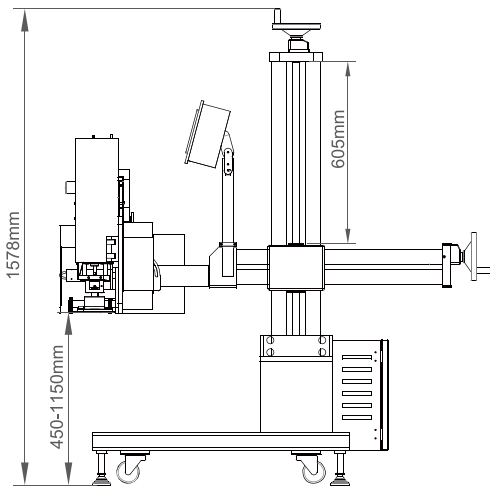


(Real time printing and application of labels - an indispensable equipment for product distribution control solutions.)



## PA6000 Print and Apply System

- ▶ The PA6000 prints packaging information, related product and packaging codes, logistics information, and distribution channel information etc. in the form of texts, barcodes, encrypted codes on labels and applies the labels immediately on product packages. The labeling information then facilitates the subsequent tracking of the products in the distribution process. The PA6000 Printer/Applicator is an effective equipment enabling distribution control solutions in many industries.
- ▶ Zebra PAX thermal transfer print engine, PLC control, industrial computer and dedicated label design software - ensure easy, smooth and reliable operations.



## Features

- Choice of different label adaptors: Tamp-on, blow-on, brush-on, corner-wrap etc. to cater for the different needs in different production environments.
- Alert function: Error messages and warning signal output when problem occurs. Different instructions are available on errors such as "open/close", "stop/continue" etc.
- Versatile Label Editing: Compatible with most label editing software in the market - allow maximum flexibility in formatting labels.
- Highly user friendly interactive touch-screen interface in both Chinese and English, makes operation easy and convenient.
- Simple installation: Specially designed mounting stand with wide adjustment range for simple installation and easy adjustment.

## Machine Model PA6000

Labeling engine	Zebra PAX	SATO M84SE
Labeling speed	Max. 80 pcs./min (depends on object & label sizes and labeling pattern)	
Labeling precision	±2.0mm (other than errors from goods or labels)	
Labeling orientations	Top, Side, Corner	
Air pressure	0.5-0.7 Mpa、300L/min.	
Print resolutions	Choices of 203dpi、300dpi	
Printing speed	305mm/sec.(203dpi), 203mm/sec.(300dpi)	200mm/sec.(203dpi), 250mm/sec.(300dpi)
Label size(Printing)	110PAX (W)104×(L)990 mm 170PAX (W)168×(L)990 mm	(W)112×(L)833 mm
Label size(Labeling)	Standard: (W)110×(L)110 mm 110PAX (W)20-110×(L)20-200 mm 170PAX (W)20-170×(L)20-300 mm	(W)20-115×(L)20-300 mm
Labels requirements	Glassin liner is required. Face stock thickness > 5μ and stiffness complied with Colamark requirements. External diameter of label roll < 350mm, internal diameter of label roll 76.5mm.	
Communication ports	Standard: IEEE1284, RS232 Optional: Lan RJ45, wifi	Standard: IEEE1284 Optional: RS232, Lan RJ45, Wifi,USB
I/O ports	Standard RS485 or RS422 optional	
Environment	Temperature: 5-40℃ Humidity: 15-85%(non-condensing)	
Power consumption	220VAC±10% 46-62Hz 0.45kW	0.77kW
Machine dimensions	(L)1,264×(W)885×(H)1,800 mm	

For continuous improvement on design and product innovations, all specification data are subject to change without prior notice

### Colamark (Guangzhou) Labeling Equipment Limited

19 Jin Xiu Road, GETDD, Guangzhou, China

Tel: +86 20 8221 6718 Fax: +86 20 8221 5799 PC:510730

### Colamark Technologies Limited

820 Topsail Plaza, 11 On Sum Street, Shatin, Hong Kong  
Tel: +852 2634 8011 Fax: +852 8161 3311 Email: info@colamark.com Web: www.colamark.com

|HongKong | Guangzhou | Kunming Chengdu | Wuhan | Chongqing | Xian | Shanghai | Qingdao | Beijing | Shenyang | Harbin|